

# RVU6125

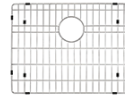
UNDERMOUNT LAUNDRY SINK

## MATERIAL

- True 16 Gauge Thickness
- Premium T304 Grade Stainless Steel
- 18/10 Chromium/Nickel Content
- Commercial Brushed Finish

## FEATURES

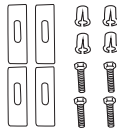
- Heavy duty sound guard padding and undercoating
- Slanted bottom with elegant drain grooves for easy draining
- Rounded inside corners



## IN THE BOX



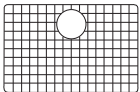
Basket Strainer  
[RVA1025]



Mounting Clips  
[RVA11031]



Drain Cover  
[RVA1035]



Rinse Grid  
[RVA67100]



Cut-out  
Template

## NOMINAL DIMENSIONS

- Exterior:** 23" (wide) x 18" (front-to-back)
- Interior Bowl:** 21" (wide) x 16" (front-to-back)
- Bowl Depth:** 12"
- Minimum Cabinet Size:** 25" wide
- Drain Hole Size:** 3½"

### Installation Type:

Undermount

### Inside Corners:

Rounded

### Drain Location:

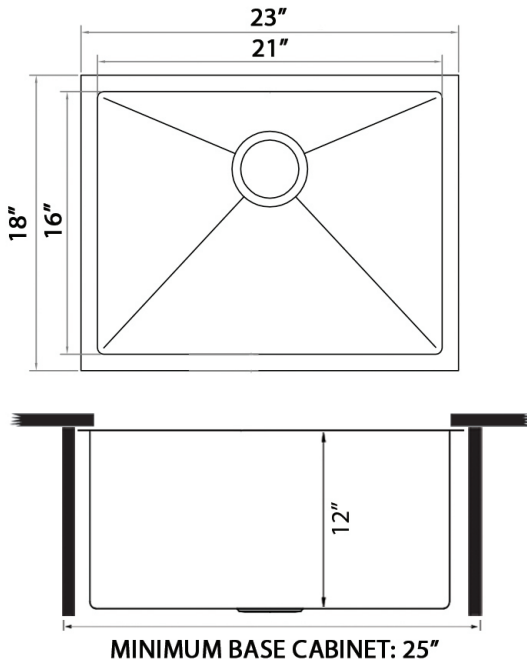
Rear Center

## OPTIONAL ACCESSORIES (SOLD SEPARATELY)



Deep Basket  
Disposal Flange  
[RVA1049ST]

## DIMENSIONS



Register your product at [www.ruvati.com/register](http://www.ruvati.com/register).