

# RVH8316

UNDERMOUNT WORKSTATION SINK

**RUVATI**<sup>®</sup>  
SPECIFICATION SHEET

## MATERIAL

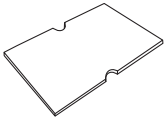
True 16 Gauge Thickness  
Premium T304 Grade Stainless Steel  
18/10 Chromium/Nickel Content  
Commercial Brushed Finish

## FEATURES

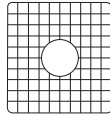
- Heavy duty sound guard padding and undercoating
- Slanted bottom with elegant drain grooves for easy draining
- Single-Tier Ledge for Accessories



## IN THE BOX



Cutting Board  
[RVA1215]



Rinse Grid  
[RVA68316]



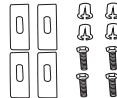
Cut-out  
Template



Basket Strainer  
[RVA1025]



Drain Cover  
[RVA1035]



Mounting Clips  
[RVA11031]

## NOMINAL DIMENSIONS

Exterior: 13" (wide) x 15" (front-to-back)  
Interior Bowl: 11"(wide) x 11-1/2" (front-to-back)  
Bowl Depth: 10"  
Minimum Cabinet Size: 15" wide  
Drain Hole Size: 3½"

Installation Type:  
Undermount

Inside Corners:  
Zero Radius

Drain Location:  
Center

**RUVATI USA**

www.ruvati.com

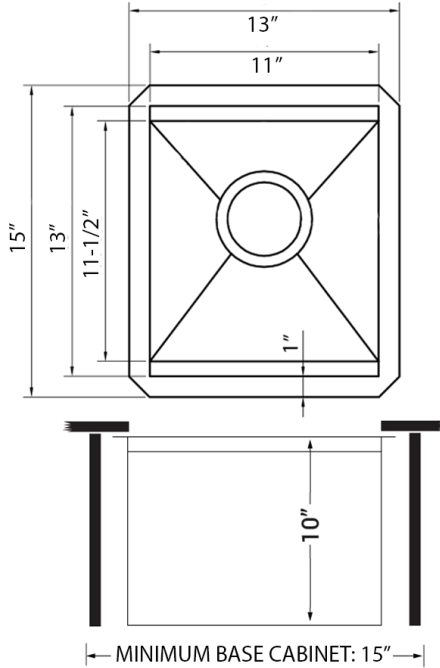
Phone: 1.855.478.8284  
Email: support@ruvati.com

# OPTIONAL ACCESSORIES (SOLD SEPARATELY)



Deep Basket  
Disposal Flange  
[RVA1049ST]

## DIMENSIONS



Register your product at [www.ruvati.com/register](http://www.ruvati.com/register).