

RVH8110

TOPMOUNT BAR SINK

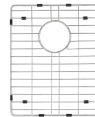
RUVATI[®]
SPECIFICATION SHEET

MATERIAL

True 16 Gauge Thickness
Premium T304 Grade Stainless Steel
18/10 Chromium/Nickel Content
Commercial Brushed Finish

FEATURES

- Heavy duty sound guard padding and undercoating
- Slanted bottom with elegant drain grooves for easy draining
- Small size sink for wet bar



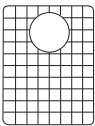
IN THE BOX



Basket Strainer
[RVA1025]



Mounting Clips
[RVA11042]



Rinse Grid
[RVA68110]



Cut-out
Template

NOMINAL DIMENSIONS

Exterior: 15" (wide) x 20" (front-to-back)
Interior Bowl: 13" (wide) x 16" (front-to-back)
Bowl Depth: 10"
Minimum Cabinet Size: 18" wide
Drain Hole Size: 3½"

Installation Type:

Topmount

Inside Corners:

Zero Radius

Drain Location:

Rear Center

RUVATI USA

www.ruvati.com

Phone: 1.855.478.8284
Email: support@ruvati.com

OPTIONAL ACCESSORIES (SOLD SEPARATELY)

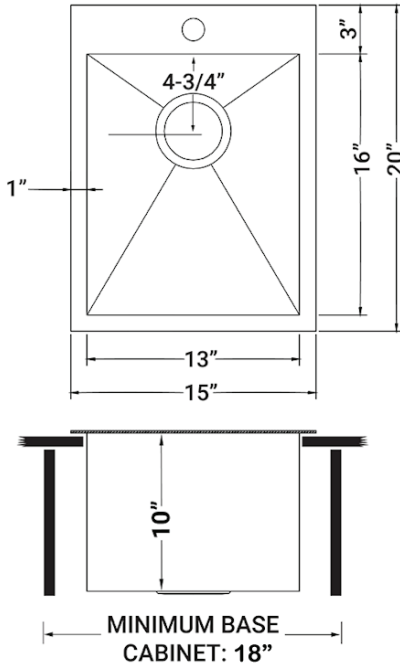


Deep Basket
Disposal Flange
[RVA1049ST]



Drain Cover
[RVA1035]

DIMENSIONS



Register your product at www.ruvati.com/register.