

RVH7100

UNDERMOUNT KITCHEN SINK

RUVATI[®]
SPECIFICATION SHEET

MATERIAL

True 16 Gauge Thickness
Premium T304 Grade Stainless Steel
18/10 Chromium/Nickel Content
Commercial Brushed Finish



FEATURES

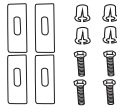
- Heavy duty sound guard padding and undercoating
- Slanted bottom with elegant drain grooves for easy draining
- Small size sink for wet bar



IN THE BOX



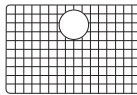
Basket Strainer
[RVA1025]



Mounting Clips
[RVA11031]



Cut-out
Template



Rinse Grid
[RVA67100]

NOMINAL DIMENSIONS

Exterior: 23" (wide) x 18" (front-to-back)
Interior Bowl: 21" (wide) x 16" (front-to-back)
Bowl Depth: 10"
Minimum Cabinet Size: 25" wide
Drain Hole Size: 3½"

Installation Type:
Undermount

Inside Corners:
Zero Radius

Drain Location:
Rear Center

RUVATI USA
www.ruvati.com

Phone: 1.855.478.8284
Email: support@ruvati.com

OPTIONAL ACCESSORIES (SOLD SEPARATELY)

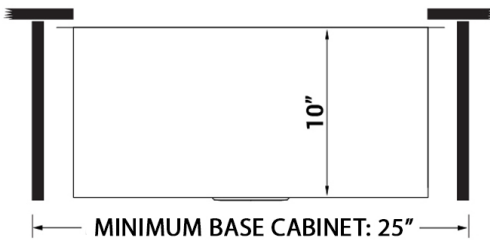
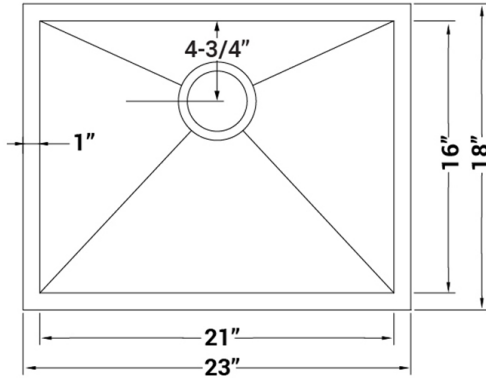


Deep Basket
Disposal Flange
[RVA1049ST]



Drain Cover
[RVA1035]

DIMENSIONS



Register your product at www.ruvati.com/register.