

RVH6244

SEMI-RECESSED BATHROOM SINK

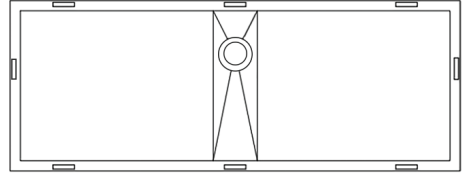
RUVATI[®]
SPECIFICATION SHEET

MATERIAL

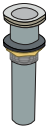
- True 16 Gauge Thickness
- Premium T304 Grade Stainless Steel
- 18/10 Chromium/Nickel Content

FEATURES

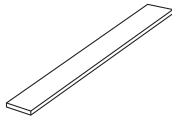
- Heavy duty sound guard padding and undercoating
- D-shaped curved bowl for perfect water drainage
- Push pop-up drain included



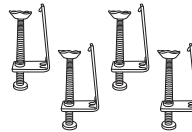
IN THE BOX



Popup Drain
[RVA5103ST]



Drain Covers
[RVA11064ST]



Mounting Clips
[RVA11049]



Cut-out
Template

NOMINAL DIMENSIONS

Exterior: 33" (wide) x 12-1/2" (front-to-back)
Interior Bowl: 31-1/2" (wide) x 11" (front-to-back)
Bowl Depth: 6"
Minimum Cabinet Size: 36" wide
Drain Hole Size: 1-5/8"

Installation Type:

Topmount

Drain Location:

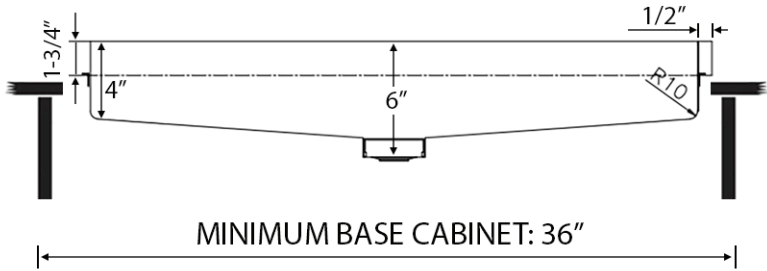
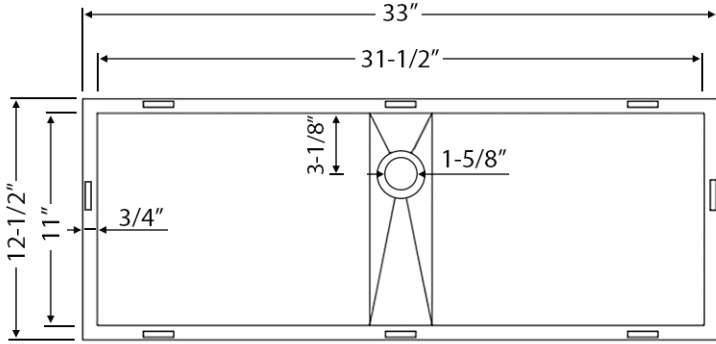
Rear Center

RUVATI USA

www.ruvati.com

Phone: 1.855.478.8284
Email: support@ruvati.com

DIMENSIONS



cUPC certified by IAPMO
to meet US and Canada
plumbing standards.



**SCAN TO REGISTER
YOUR WARRANTY**

or visit
ruvati.com/register

RUVATI USA
www.ruvati.com

Phone: 1.855.478.8284
Email: support@ruvati.com