

RVH5521

WORKSTATION BATHROOM SINK

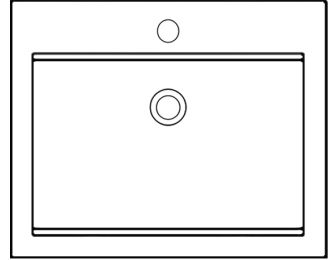
RUVATI[®]
SPECIFICATION SHEET

MATERIAL

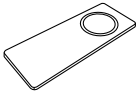
- True 16 Gauge Thickness
- Premium T304 Grade Stainless Steel
- 18/10 Chromium/Nickel Content

FEATURES

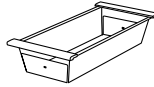
- Space-saving topmount workstation
- Heavy duty sound guard padding and undercoating
- D-shaped curved bowl for perfect water drainage
- Push pop-up drain included



IN THE BOX



Tray with Board
[RVA1543]



Colander
[RVA1365]



Popup Drain
[RVA5103ST]



Mounting Clips
[RVA11042]



Cut-out
Template

NOMINAL DIMENSIONS

Exterior: 21" (wide) x 17" (front-to-back)
Interior Bowl: 18" (wide) x 11-1/4" (front-to-back)
Bowl Depth: 5-1/2"
Minimum Cabinet Size: 24" wide
Drain Hole Size: 1-3/4"

Installation Type:

Topmount

Drain Location:

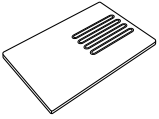
Rear Center

RUVATI USA

www.ruvati.com

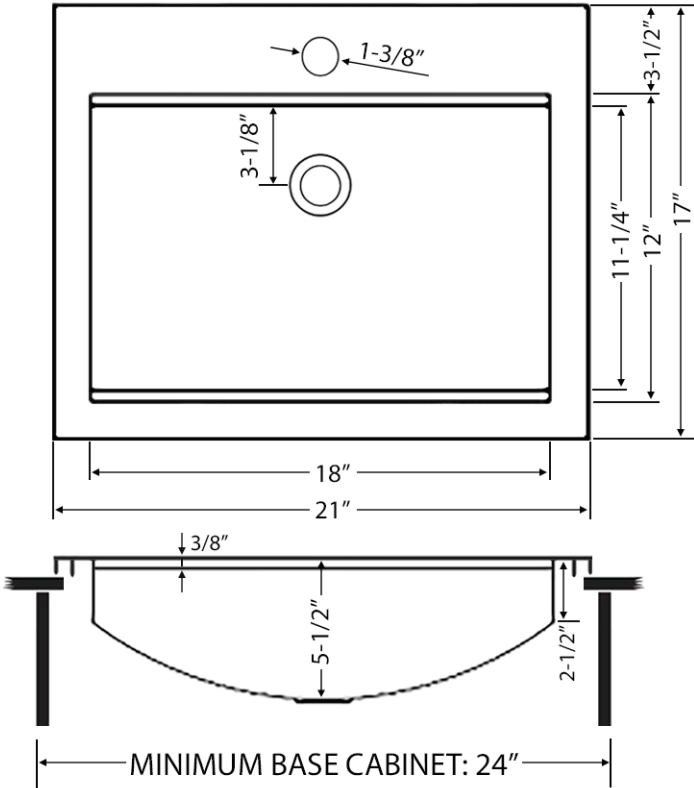
Phone: 1.855.478.8284
Email: support@ruvati.com

OPTIONAL ACCESSORIES (SOLD SEPARATELY)



Fiber Board
[RVA1265]

DIMENSIONS



cUPC certified by IAPMO
to meet US and Canada
plumbing standards.



**SCAN TO REGISTER
YOUR WARRANTY**

or visit
ruvati.com/register

RUVATI USA
www.ruvati.com

Phone: 1.855.478.8284
Email: support@ruvati.com