

RVG2083

GRANITE UNDERMOUNT KITCHEN SINK

RUVATI[®]

SPECIFICATION SHEET

MATERIAL

- Solid Granite Composite
- 80% crushed natural granite for extreme strength
- Non-porous and resistant to stains

FEATURES

- Integrated Ledge
- Naturally sound proof
- Will never discolor
- Rounded inside corners

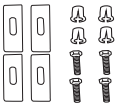


COLOR OPTIONS

BK: Midnight Black

WH: Arctic White

IN THE BOX



Mounting Clips
[RVA11059]



Cut-out
Template

NOMINAL DIMENSIONS

Exterior: 32-1/2" (wide) x 19-1/4" (front-to-back)
Interior Bowl: 30-1/2" (wide) x 16-1/4" (front-to-back)
Bowl Depth: 9"
Minimum Cabinet Size: 36" wide
Drain Hole Size: 3 1/2"

Installation Type:
Undermount

Inside Corners:
Rounded

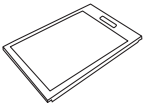
Drain Location:
Rear Center

RUVATI USA

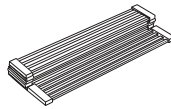
www.ruvati.com

Phone: 1.855.478.8284
Email: support@ruvati.com

OPTIONAL ACCESSORIES (SOLD SEPARATELY)



Cutting Board
[RVA1232]



Folding Rack
[RVA1394]



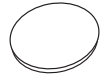
Basket Strainer
[RVA1038BL/WH/GR]



Deep Basket
Disposal Flange
[RVA1049ST/BL/GG]

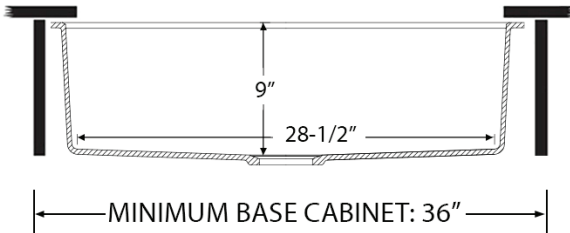
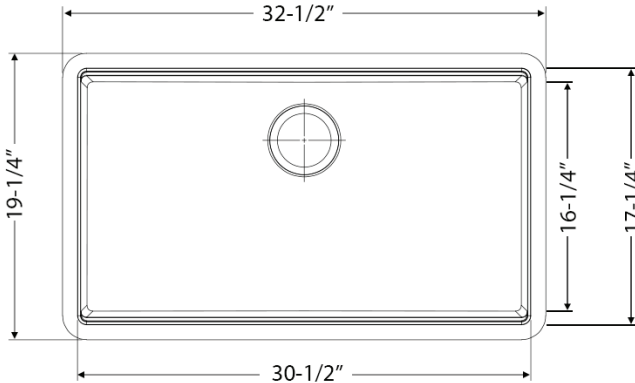


Deep Basket
Disposal Flange/Stopper
[RVA1052ST/BL/GG]



Drain Cover
[RVA1034BK/WH]

DIMENSIONS



cUPC certified by IAPMO
to meet US and Canada
plumbing standards.



**SCAN TO REGISTER
YOUR WARRANTY**

or visit
ruvati.com/register

RUVATI USA
www.ruvati.com

Phone: 1.855.478.8284
Email: support@ruvati.com