

# RVG1533

GRANITE WORKSTATION APRON-FRONT

**RUVATI**<sup>®</sup>

SPECIFICATION SHEET

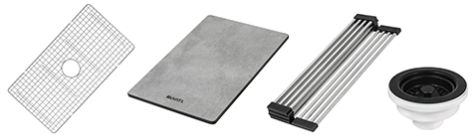
## MATERIAL

- Solid Granite Composite
- 80% crushed natural granite for extreme strength
- Non-porous and resistant to stains



## FEATURES

- Naturally sound proof
- Will never discolor
- Rounded inside corners



## COLOR OPTIONS

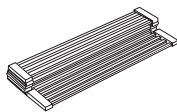
**BK:** Matte Black  
**WH:** Matte White

**GR:** Matte Gray

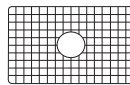
## IN THE BOX



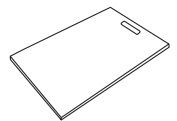
Basket Strainer  
[RVA1038]



Folding Rack  
[RVA1393]



Rinse Grid  
[RVA61533]



Cutting Board  
[RVA1202CR]

## NOMINAL DIMENSIONS

Exterior: 33" (wide) x 20-1/2" (front-to-back)  
Interior Bowl: 29-3/4" (wide) x 16" (front-to-back)  
Bowl Depth: 9"  
Minimum Cabinet Size: 36" wide  
Drain Hole Size: 3 1/2"

Installation Type:  
Topmount

Inside Corners:  
Rounded

Drain Location:  
Rear Center

**RUVATI USA**

www.ruvati.com

Phone: 1.855.478.8284  
Email: support@ruvati.com

## OPTIONAL ACCESSORIES (SOLD SEPARATELY)



Deep Basket  
Disposal Flange  
[RVA1049ST]

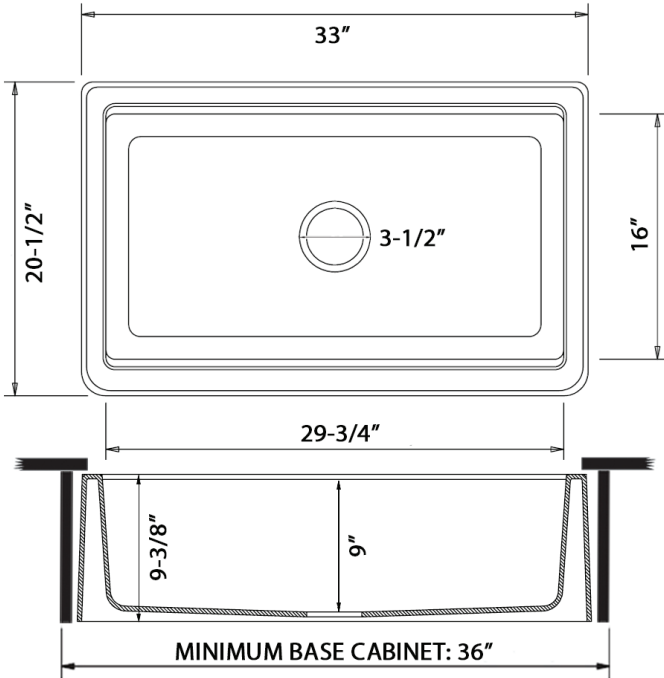


Drain Cover  
[RVA1035]



UPC compliant. Certified by CSA to meet US and Canada plumbing codes.  
Codes compliance: ASME A112.19.3/CSA B45.4

## DIMENSIONS



Register your product at [www.ruvati.com/register](http://www.ruvati.com/register).

**RUVATI USA**  
[www.ruvati.com](http://www.ruvati.com)

Phone: 1.855.478.8284  
Email: [support@ruvati.com](mailto:support@ruvati.com)