

# RVG1325

VULCANO TOPMOUNT KITCHEN SINK

**RUVATI**<sup>®</sup>  
SPECIFICATION SHEET

## MATERIAL

- Vulcano Composite
- Solid Construction
- Non-porous and resistant to stains

## FEATURES

- Naturally sound proof
- Will never discolor
- Rounded inside corners

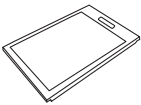


## COLOR OPTIONS

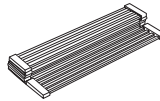
**CK:** Charcoal Black

**WB:** Warm White

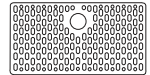
## IN THE BOX



Cutting Board  
[RVA1232]



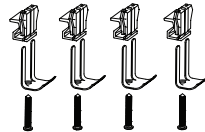
Folding Rack  
[RVA1394]



Rinse Grid  
[RVA41325 (CK / WB)]



Basket Strainer  
[RVA1038 (CK / WB)]



Mounting Clips  
[RVA11056]



Cut-out  
Template

## NOMINAL DIMENSIONS

Exterior: 33" (wide) x 22" (front-to-back)  
Interior Bowl: 31" (wide) x 16-1/5" (front-to-back)  
Bowl Depth: 10"  
Minimum Cabinet Size: 36" wide  
Drain Hole Size: 3 1/2"

Installation Type:  
Topmount  
Inside Corners:  
Rounded  
Drain Location:  
Rear Center

**RUVATI USA**

www.ruvati.com

Phone: 1.855.478.8284  
Email: support@ruvati.com

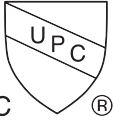
## OPTIONAL ACCESSORIES (SOLD SEPARATELY)



Deep Basket  
Disposal Flange  
[RVA1049ST]

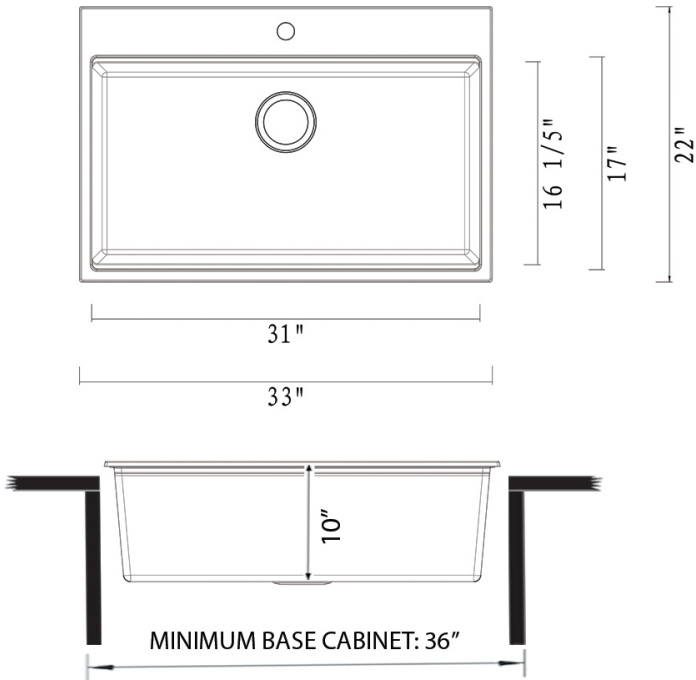


Drain Cover  
[RVA1035]



cUPC certified by IAPMO to meet US and Canada plumbing standards.  
Codes compliance: ASME A112.19.3/CSA B45.4

## DIMENSIONS



Register your product at [www.ruvati.com/register](http://www.ruvati.com/register).