

RVG1321

VULCANO TOPMOUNT LAUNDRY SINK

RUVATI[®]
SPECIFICATION SHEET

MATERIAL

- Vulcano Composite
- Solid Construction
- Non-porous and resistant to stains

FEATURES

- Naturally sound proof
- Will never discolor
- Rounded inside corners

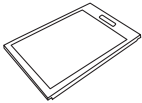


COLOR OPTIONS

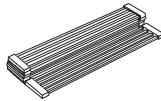
CK: Charcoal Black

WB: Warm White

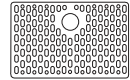
IN THE BOX



Cutting Board
[RVA1232]



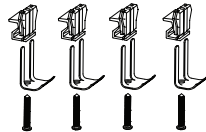
Folding Rack
[RVA1394]



Rinse Grid
[RVA41321 (CK / WB)]



Basket Strainer
[RVA1038 (CK / WB)]



Mounting Clips
[RVA11056]



Cut-out
Template

NOMINAL DIMENSIONS

Exterior: 25" (wide) x 22" (front-to-back)
Interior Bowl: 23" (wide) x 16-1/5" (front-to-back)
Bowl Depth: 12"
Minimum Cabinet Size: 27" wide
Drain Hole Size: 3 1/2"

Installation Type:
Topmount
Inside Corners:
Rounded
Drain Location:
Rear Center

RUVATI USA

www.ruvati.com

Phone: 1.855.478.8284
Email: support@ruvati.com

OPTIONAL ACCESSORIES (SOLD SEPARATELY)



Deep Basket
Disposal Flange
[RVA1049ST]

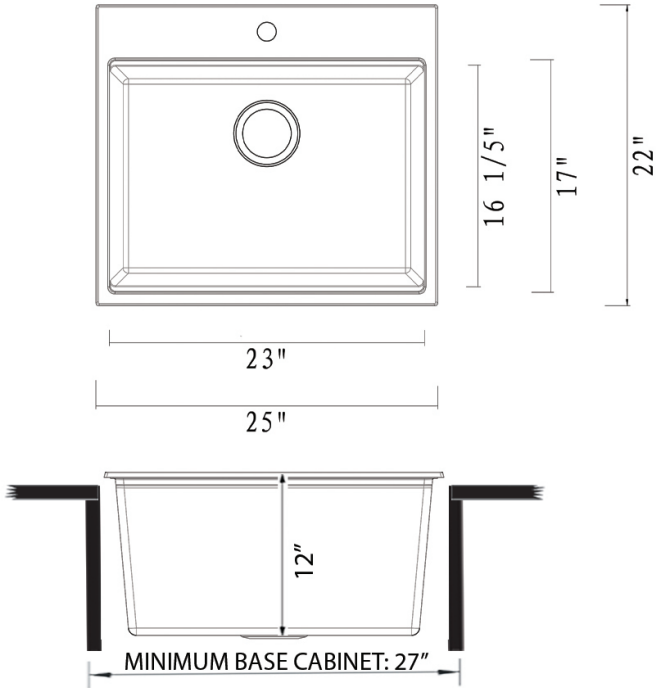


Drain Cover
[RVA1035]



cUPC certified by IAPMO to meet US and Canada plumbing standards.
Codes compliance: ASME A112.19.3/CSA B45.4

DIMENSIONS



Register your product at www.ruvati.com/register.