

RVF5234

BATHROOM FAUCET

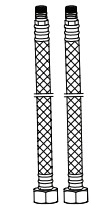
RUVATI[®]
SPECIFICATION SHEET

FEATURES

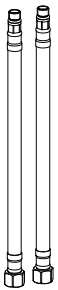
- Ceramic cartridge
- Solid brass construction
- Double handle design for precise control
- Includes hot and cold inlet hoses
- 3 hole installation (standard 1-3/8" hole)



IN THE BOX



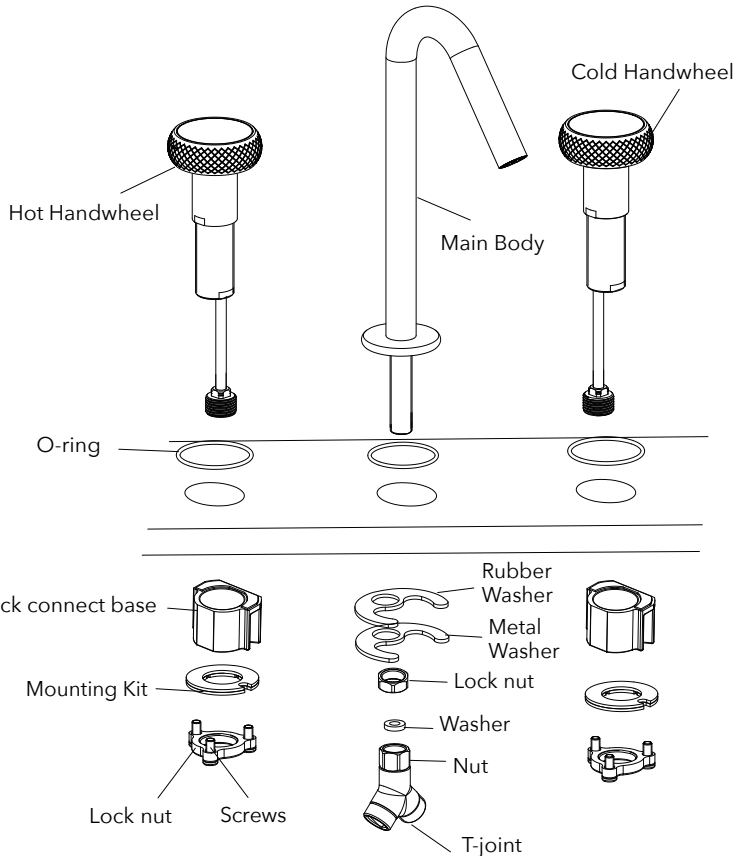
Inlet Hoses



Connecting Hoses



Aerator Wrench



RUVATI USA
WWW.RUVATI.COM

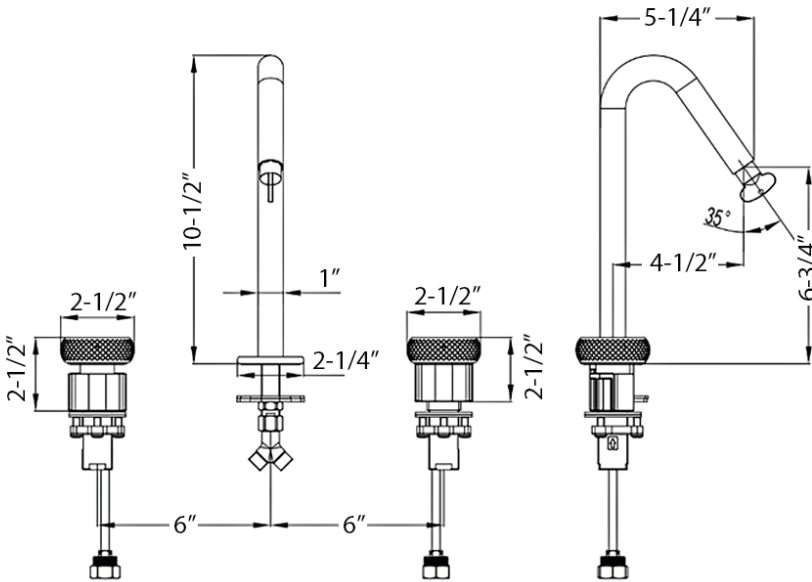
COLOR OPTIONS

• Brushed Nickel (BN)

• Brushed Gold (SG)

DIMENSIONS

- Overall Spout Height: 10-1/2"
- Spout Height: 6-3/4"
- Spout Reach: 4-1/2"



ADA
Americans with
Disabilities Act

CODES / STANDARDS

CUPC CERTIFIED BY IAPMO
ASME A112.18.1/CSA B125.1
NSF/ANSI/CAN 61 & 372

ADA COMPLIANT
CALIFORNIA ENERGY COMMISSION
(CEC) AND CALGREEN, EPA WATERSENSE



SCAN TO REGISTER OR VISIT
WWW.RUVATI.COM/REGISTER

RUVATI USA

WWW.RUVATI.COM

PHONE: 1.855.478.8284
EMAIL: SUPPORT@RUVATI.COM