

# RVF1242

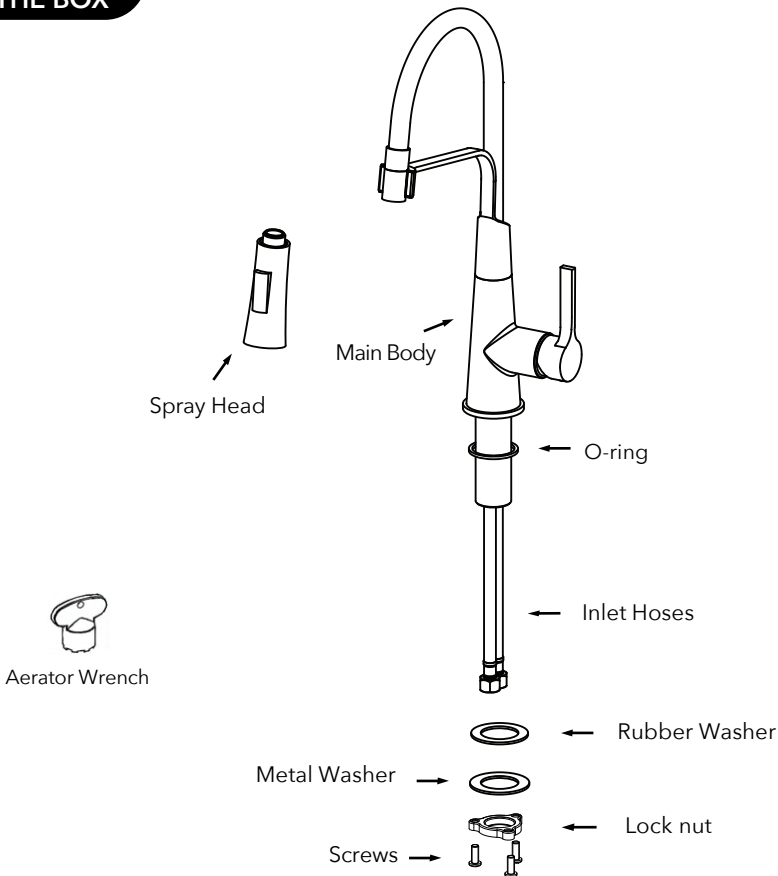
KITCHEN FAUCET

## FEATURES

- Ceramic Cartridge
- Solid brass construction
- Tall pre-rinse sprayer with flexible hose
- Includes hot and cold inlet hoses  
Standard 3/8" compression fitting
- 1 hole installation (standard 1-3/8" hole)



## IN THE BOX

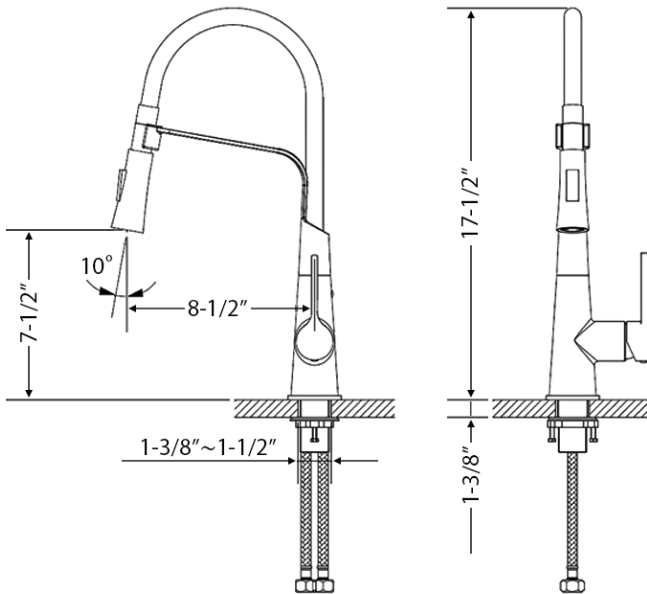


## COLOR OPTIONS

- Brushed Nickel (BN)

## DIMENSIONS

- Overall Height: 17-1/2"
- Spout Height: 7-1/2"
- Spout Reach: 8-1/2"



C



**ADA**  
Americans with  
Disabilities Act

### CODES / STANDARDS

CUPC CERTIFIED BY IAPMO  
ASME A112.18.1/CSA B125.1  
NSF/ANSI/CAN 61 & 372

ADA COMPLIANT  
CALIFORNIA ENERGY COMMISSION  
(CEC) AND CALGREEN, EPA WATERSENSE



SCAN TO REGISTER OR VISIT  
[WWW.RUVATI.COM/REGISTER](http://WWW.RUVATI.COM/REGISTER)

**RUVATI USA**

[WWW.RUVATI.COM](http://WWW.RUVATI.COM)

PHONE: 1.855.478.8284  
EMAIL: [SUPPORT@RUVATI.COM](mailto:SUPPORT@RUVATI.COM)