

RVF1237

KITCHEN FAUCET

RU VATI[®]
SPECIFICATION SHEET

FEATURES

- Ceramic Cartridge
- Solid brass construction
- Pull-out spray head with multi-function feature
- Includes hot and cold inlet hoses
Standard 3/8" compression fitting
- 1 hole installation (standard 1-3/8" hole)



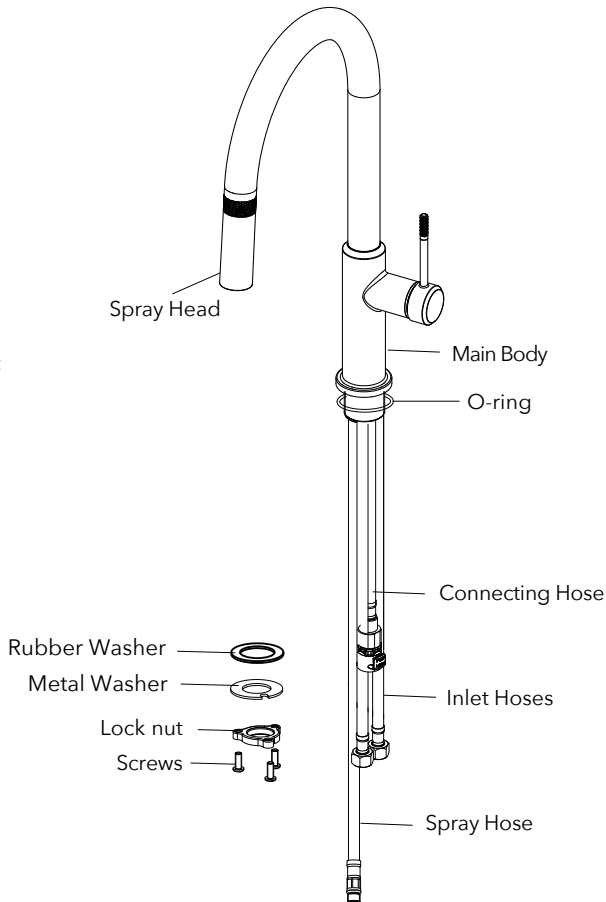
IN THE BOX



Spray Hose Weight



Allen Key



RU VATI USA
WWW.RUVATI.COM

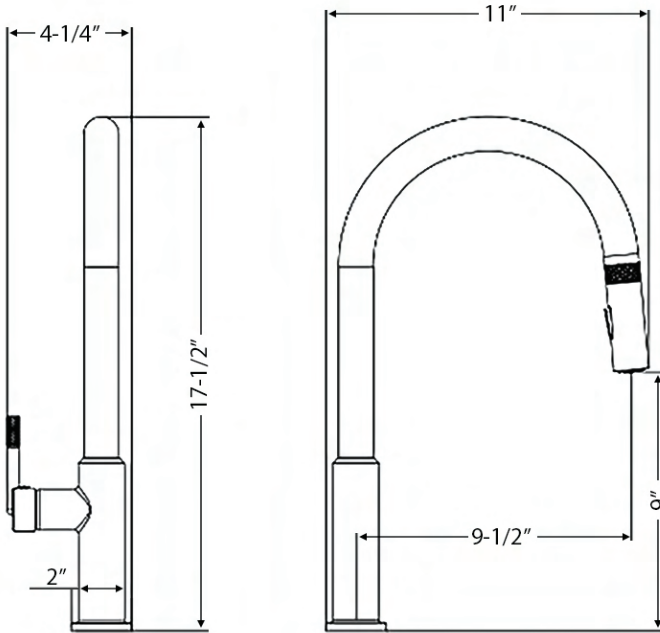
COLOR OPTIONS

• Brushed Nickel (BN)

• Brushed Gold (SG)

DIMENSIONS

- Overall Height: 17-1/2"
- Spout Height: 9"
- Spout Reach: 9-1/2"



C



ADA
Americans with
Disabilities Act

CODES / STANDARDS

CUPC CERTIFIED BY IAPMO
ASME A112.18.1/CSA B125.1
NSF/ANSI/CAN 61 & 372

ADA COMPLIANT
CALIFORNIA ENERGY COMMISSION
(CEC) AND CALGREEN, EPA WATERSENSE



SCAN TO REGISTER OR VISIT
WWW.RUVATI.COM/REGISTER

RUVATI USA

WWW.RUVATI.COM

PHONE: 1.855.478.8284
EMAIL: SUPPORT@RUVATI.COM