

RVB0720

UNDERMOUNT BATHROOM SINK

RUVATI[®]
SPECIFICATION SHEET

MATERIAL

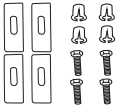
- **PORCELAIN CERAMIC:**
Thick solid construction for extreme durability.

FEATURES

- **SMOOTH, GLAZED SURFACE:**
Non-porous and resistant to scratching, chipping, or crazing.
- **CURVED BOWL SHAPE:**
Ensures perfect water drainage and makes it easy to clean.



IN THE BOX



Mounting Clips
[RVA11031]



Cut-out
Template



cUPC certified by IAPMO to meet US and Canada plumbing standards.
Codes compliance: ASME A112.19.3/CSA B45.4

NOMINAL DIMENSIONS

Exterior: 20-1/2" (wide) x 15" (front-to-back)
Interior Bowl: 18" (wide) x 12-3/4" (front-to-back)
Bowl Depth: 6"
Minimum Cabinet Size: 21" wide
Drain Hole Size: 1-3/4"

Installation Type:

Undermount

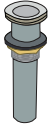
Drain Location:

Rear Center

RUVATI USA
www.ruvati.com

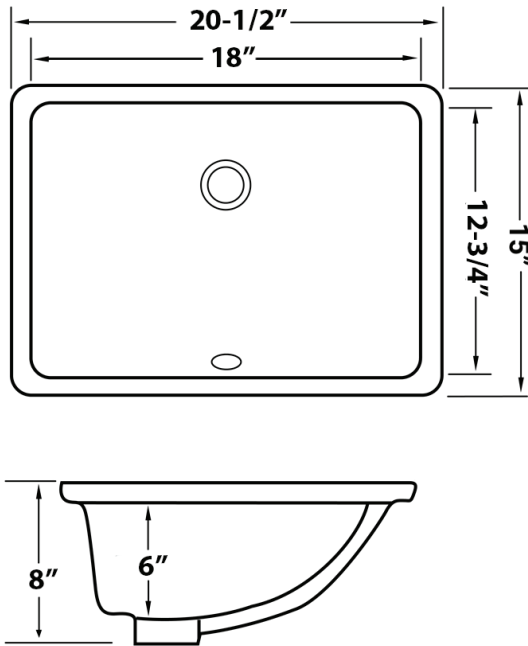
Phone: 1.855.478.8284
Email: support@ruvati.com

SOLD SEPARATELY



Popup Drain
[RVA5102WH/CH]

DIMENSIONS



Register your product at www.ruvati.com/register.