

# RVA1580

Accessory with Soap Dispenser

**RUVATI**<sup>®</sup>  
SPECIFICATION SHEET

**Material:** Stainless Steel / Wood / Plastic

**Caddy Rack Dimensions:**

17-1/4" (length) x 2-3/4" (width) x 8-5/8" (depth)

**Soap Dispenser Dimensions:**

7-3/8" (length) x 2" (width)

**Items Included:**

Caddy, knife block, soap dispenser, brush, sponge tray

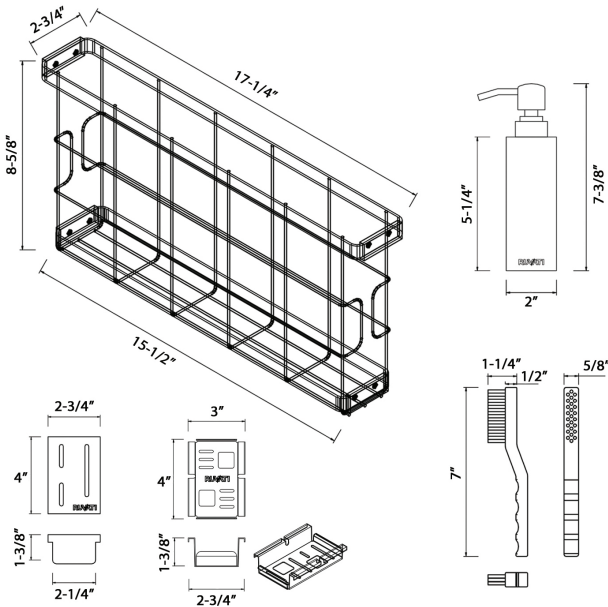
**Compatible with Single Tier LedgeFit Ruvati sinks**



US Patent No. D1110642

**Purpose:**

- CADDY: Holds up to two cutting boards for convenient storage.
- Multi-function workstation organizer and knife block.



SCAN TO REGISTER OR VISIT  
[WWW.RUVATI.COM/REGISTER](http://WWW.RUVATI.COM/REGISTER)

**RUVATI USA**

[WWW.RUVATI.COM](http://WWW.RUVATI.COM)

PHONE: 1.855.478.8284  
EMAIL: [SUPPORT@RUVATI.COM](mailto:SUPPORT@RUVATI.COM)