

RVA1236BWC

Bartender Accessory Set

RUVATI[®]
SPECIFICATION SHEET

Material: Solid Composite / Stainless Steel

Bartender's Board Dimensions:

17-1/4" (length) x 8" (width) x 3/8" (thick)

Items Included:

Bartender's board, shaker, muddler, tongs, mesh strainer, stirrer, jig, and 2 cocktail pourers.

Compatible with all LedgeFit Ruvati sinks

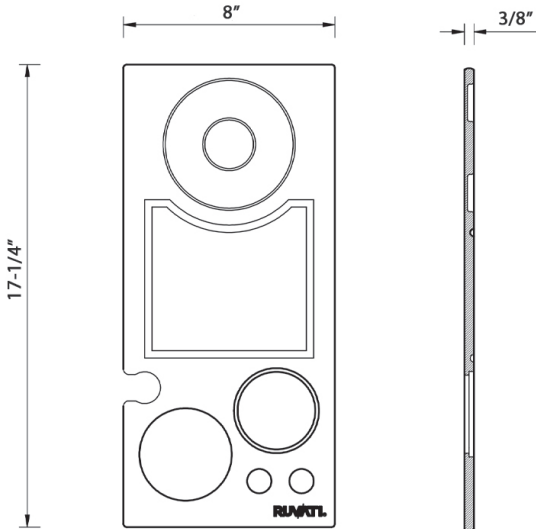



Care Instructions:

- Hand wash with warm water and mild dish soap.
- Dry thoroughly after washing.

Purpose:

- Designed to sit securely on your Ruvati LedgeFit[®] workstation ledge for easy prep and organization.
- A complete cocktail station made for easy, efficient mixing.



 California Prop 65 Warning:
Cancer and Reproductive Harm



X004P09J77

RUVATI USA

WWW.RUVATI.COM

SCAN TO REGISTER
YOUR WARRANTY



PHONE: 1.855.478.8284
EMAIL: SUPPORT@RUVATI.COM

www.ruvati.com/register