

RVA1226

Cutting Board With Dish Caddy

RUVATI®

SPECIFICATION SHEET

Material: Food-safe Solid Composite

Size: 15" (length) x 13-3/8" (width) x 3/8" (thick)

Compatible Ruvati Sinks:

RVG1620BK, RVG1620WH, RVG1622BK
RVG1622WH, RVG1631BK, RVG1631WH
RVG1634BK, RVG1634WH

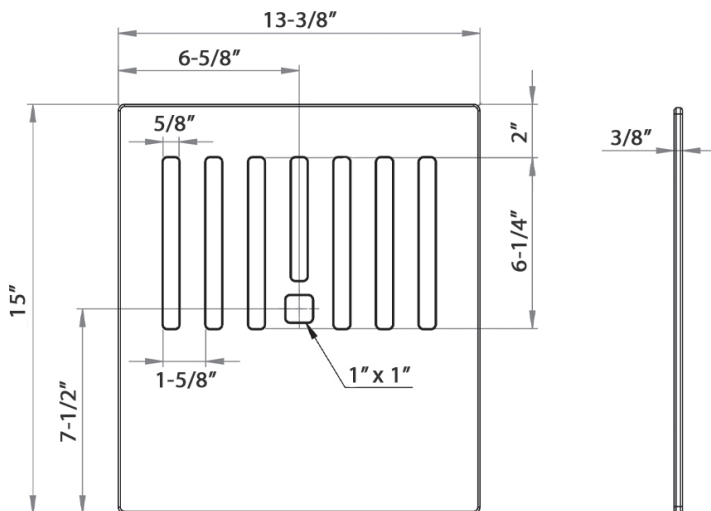


Care Instructions:

- Hand wash the cutting board with warm water and mild dish soap.
- Do not expose the cutting board to hot surfaces.

Purpose:

- Holds up to 6 plates with two smaller slots for utensils.
- Heavy-duty use: superior black / gray solid composite cutting board.



California Prop 65 Warning:
Cancer and Reproductive Harm



RUVATI USA

WWW.RUVATI.COM

PHONE: 1.855.478.8284
EMAIL: SUPPORT@RUVATI.COM

SCAN TO REGISTER
YOUR WARRANTY



www.ruvati.com/register