

## CARE AND MAINTENANCE:

- Clean regularly with mild dish soap, warm water and microfiber cloth. Rinse with clean water.
- Always dry the faucet with a soft cloth after each use to prevent water spots or mineral buildup, especially in hard water areas.
- Regularly inspect the faucet and connections for any signs of leaks or drips.
- Avoid using harsh chemicals, steelwool, scouring pads or abrasive sponges as they can scratch and damage.
- Avoid products containing ammonia, bleach, or acidic substances (like lemon or vinegar in undiluted form), which can damage or discolor the faucet.
- Always clean immediately remove substances that cause discoloration, such as hair dye or nail polish remover.
- Never leave water, food, personal care products, or cleaning products sitting on the faucet for extended periods of time.

## RUVATI 5-YEAR LIMITED WARRANTY - FAUCETS

This product has been manufactured and inspected to the highest quality standards. Ruvati faucets carry a **5-year limited warranty** for residential use.

Should you experience any defects in materials or workmanship within the warranty period, we will repair or replace the defective product, subject to the following conditions:

- Any claim made under this warranty must include a valid proof of purchase showing the date and place of purchase.
- Our obligation under this warranty is to the original purchaser only and is non-transferable.
- This warranty applies to indoor residential installations only.
- This warranty applies only to products that were purchased brand new from Ruvati or an authorized dealer. Open box, used or refurbished products are not covered under warranty.
- In many instances, we will provide a replacement part with instructions. It will be owner's responsibility to replace the defective part.
- If a product replacement is warranted, it will not include shipping costs or labor installation costs.
- Ruvati reserves the right to examine the product and its installation prior to replacement.
- If an identical replacement product is not available, Ruvati reserves the right to replace the defective product with a similar product.

This warranty relates to defects in manufacture, materials, or workmanship in a Ruvati faucet supplied

for installation in residential premises in the United States. It does not extend to:

- Faults arising from improper use and/or installation. Ruvati recommends faucet installation to be done only by a licensed plumber.
- Damage resulting from improper maintenance or failure to follow the Care and Maintenance instructions.
- Normal wear and tear, scratches, or accidental damage.
- Products that have been altered or modified.

**All incidental or consequential damages are specifically excluded. No additional warranties, express or implied, are provided, including but not limited to any implied warranty of merchantability or fitness for a particular purpose.**

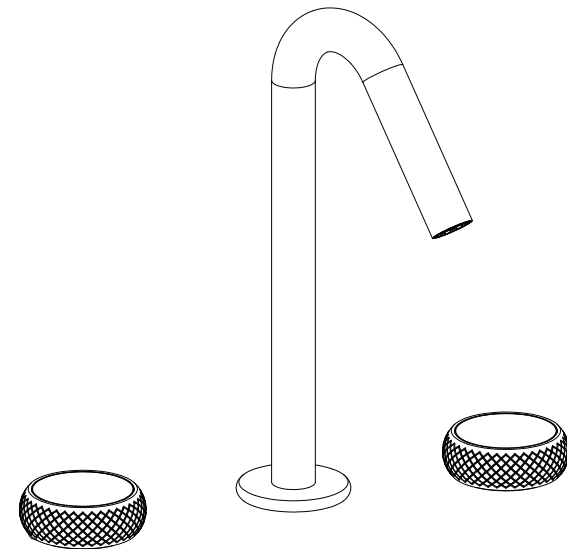
Some states do not allow the exclusion or limitation of incidental or consequential damages or limitations on how long an implied warranty lasts, so the above limitations or exclusions may not apply in certain cases

This warranty gives you specific legal rights, and you may also have other rights that vary from state to state.

# RUVATI®

## INSTALLATION GUIDE

# TWO HANDLE BATHROOM FAUCET



RVF5234

Register your product at: [www.ruvati.com/register](http://www.ruvati.com/register)

## RUVATI®

**Address:** 2705 Meister Pl, Round Rock, TX 78664

**USA Phone:** 1.855.478.8284

**Email:** [support@ruvati.com](mailto:support@ruvati.com)

## ATTENTION INSTALLER:

Please read all information below and keep this installation guide for future reference.

Ruvati recommends that this faucet be installed only by a professional installer.

Follow all local plumbing and building codes.

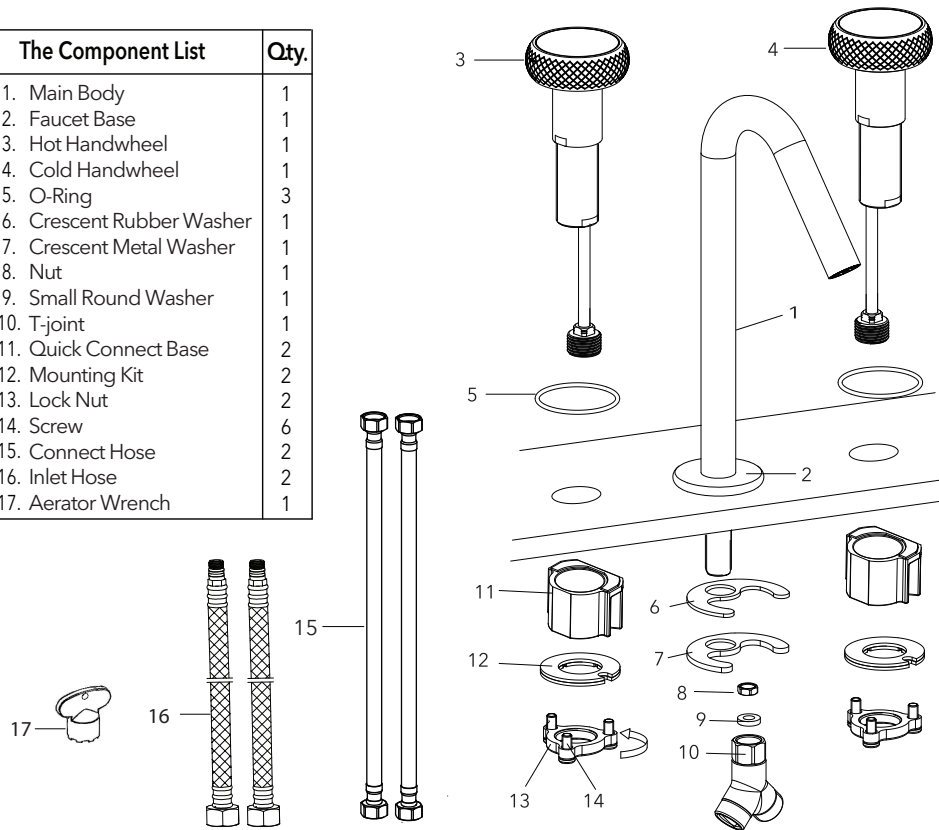
## TOOLS REQUIRED:

Adjustable Wrench  
Phillips Screwdriver  
Towel or Small Bucket

Teflon Tape  
Safety Goggles  
Flashlight

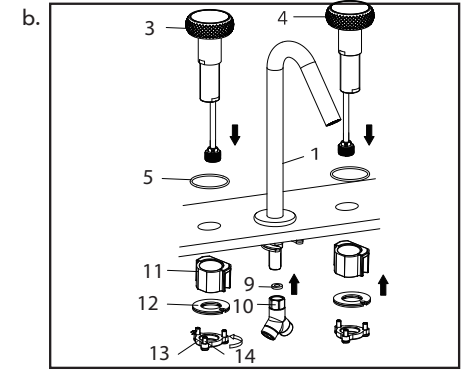
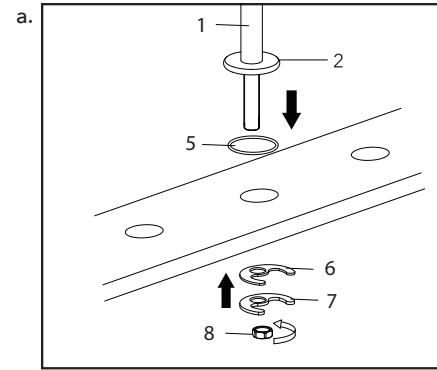
## PARTS LIST:

The Component List	Qty.
1. Main Body	1
2. Faucet Base	1
3. Hot Handwheel	1
4. Cold Handwheel	1
5. O-Ring	3
6. Crescent Rubber Washer	1
7. Crescent Metal Washer	1
8. Nut	1
9. Small Round Washer	1
10. T-joint	1
11. Quick Connect Base	2
12. Mounting Kit	2
13. Lock Nut	2
14. Screw	6
15. Connect Hose	2
16. Inlet Hose	2
17. Aerator Wrench	1



## INSTRUCTIONS:

1. Connect the faucet base (2) to the main body (1) (if not pre-assembled). Insert the assembly through the center hole in your sink or countertop. Under the sink, slide the crescent rubber washer (6), crescent metal washer (7), and small lock nut (8) onto the threaded shank. Hand-tighten, then snug with a wrench. Do not over-tighten. (See image a)
2. Insert the hot (3) and cold (4) handwheels into the appropriate sink holes. (Hot on the left, cold on the right) From below, push each quick connect base (11) onto the handwheel until you hear or feel a click. Below the bases install the round mounting kit (12) (rubber side up) and the lock nut (13). Tighten lock nut screws (14). Place the washer (9) into the T-joint (10). Then, attach it to the main body (1). (See image b)



3. Attach the connecting hoses (15) to the T-joint (10) and handwheels. Hand-tighten the connections first, then use a wrench. Do not over-tighten. (See image c)
4. Connect the water inlet hoses (16) to the handwheels and to the corresponding angle stops and tighten using a wrench. Do not over-tighten. (See image d)
5. Before turning on the water supply, remove the aerator from the faucet spout. Turn the water supply back on and run hot and cold water for at least 1 minute to check for leaks. Inspect all connection points. Re-tighten if necessary. Reinstall the aerator onto the faucet spout when done.

