

RUVATI LIMITED LIFETIME WARRANTY

This product has been manufactured and inspected to the highest possible quality standards. Ruvati sinks carry a limited lifetime warranty for residential use.

Should you experience any defects in materials or workmanship within the warranty period, we will repair or replace the defective product, subject to the following conditions:

- Any claim made under this warranty must include a copy of a valid proof of purchase showing the date and place of purchase.
- Our obligation under this warranty is to the original purchaser only, and may not be transferred.
- Product replacement does not include shipping costs or labor installation costs.
- This warranty applies to residential installations only.
- Ruvati reserves the right to examine product in question and its installation prior to replacement.
- If an identical replacement product is not available, Ruvati reserves the right to replace the defective product with a similar product.

NOTE: Accessories such as rinse grids, cutting boards, strainers are not covered by this warranty.

This warranty relates to defects in manufacture, materials or workmanship in

a Ruvati kitchen sink supplied for installation into domestic premises in the United States. It does not extend to :

- Damage resulting from failure to maintain the product in accordance with the Care and Maintenance instructions in this manual.
- Normal wear and tear, scratches or accidental damage.
- Faults arising from improper use and/or installation.
- Defects in accessories, strainers and rinse grids.

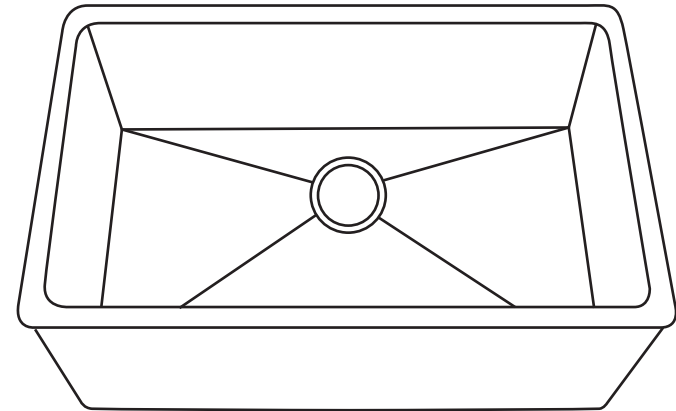
All incidental or consequential damages are specifically excluded. No additional warranties, express or implied are given, including but not limited to, any implied warranty of merchantability or fitness for a particular purpose.

Some states do not allow the exclusion or limitation of incidental or consequential damages or limitations on how long an implied warranty lasts, so the above limitations or exclusions may not apply to you. This warranty gives you specific legal rights, and you may also have other rights which vary from state to state.

RUVATI®

INSTALLATION GUIDE

DUALMOUNT SINK



RVL2420, RVL2707, RVL3030

Register your product at: www.ruvati.com/register

RUVATI®

Address: 2705 Meister Pl, Round Rock, TX 78664

USA Phone: 1.855.478.8284

Email: support@ruvati.com

ATTENTION INSTALLER

- Please read all information below and keep this installation guide for future reference.
- Ruvati recommends that this sink be installed only by a professional installer.
- Inspect the sink and box contents immediately upon delivery. If you see any shipping damages on the sink, or missing parts, contact Ruvati Support.
- Do not start the cutout or cabinet prep process before having the sink in hand.
- It is recommended that you discuss with customer the desired installation position of sink and faucet prior to installation. Ruvati is not responsible for improper installation or damage to sink, cabinet or countertop.
- Follow all local plumbing and building codes.

CARE AND MAINTENANCE:

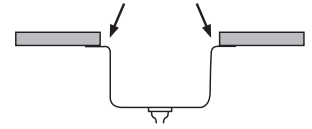
- Clean regularly with dish-washing detergent and warm water.
- Make a habit of drying your sink after use. This is not necessary, but a good practice, and will ensure that no build up of limescale occurs.
- Food stains such as wine, coffee, tea, should be removed immediately using warm water and detergent. Stubborn stains can be removed using Mr. Clean Magic Eraser followed by washing with soap and water.
- Remove hard water stains using 50% vinegar solution or Lime Away. Let soak for 15-20 minutes (no longer) and then wash thoroughly with soap and water.
- Never place extremely hot pots directly on the sink surface. Use a potholder.

The bottom of a pot just removed from the burner can reach temperatures over 600°F and can cause permanent damage.

- Never pour bleach, acid, alkali, gasoline or any solvents into the sink because they can interact with the material of the sink and damage it.
- Do not use a steel wool pad, or abrasive cleaning material to clean your sink. Doing so may damage the sink's surface and cause discoloration.
- Never let soap or other household cleaners dry on the surface of the sink. Most products contain additives which will affect the finish of the sink.
- Never let drain cleaners come in to contact with the sink.

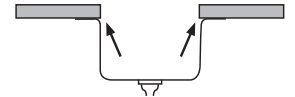
1/4" Reveal

The countertop edge sits approximately 1/4" back from the edge of the sink and exposes the rim of the sink.



Flush Fit

The countertop meets the edge of the sink, fitting flush with the sink bowl.



TOOLS REQUIRED

- Screwdriver
- Adjustable wrench
- Drill
- Silicone adhesive/sealant
- Level
- Tape measure
- Pencil
- Jig saw

NOTE

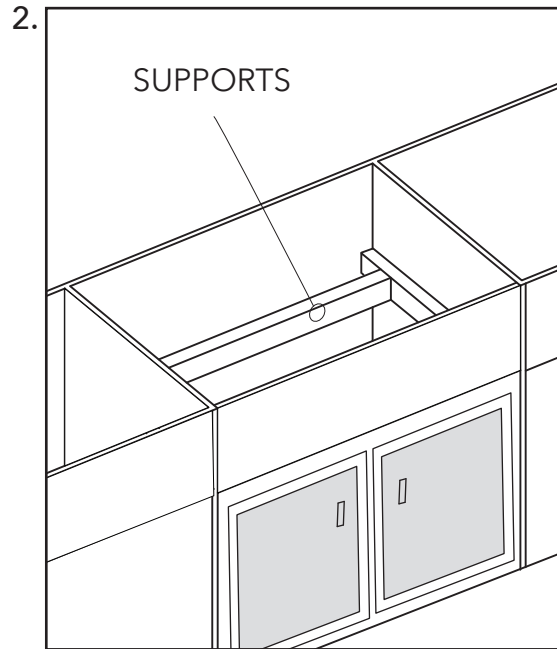
Specialized tools may be necessary to install Fireclay sinks with countertop materials other than wood, marble or granite.

Not recommended to be installed with laminate countertop.

Additional floor and wall preparation may be required to avoid damaging the sink.

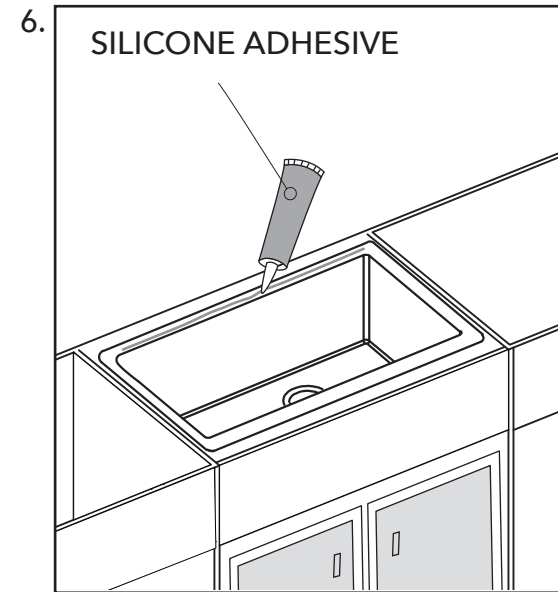
UNDERMOUNT INSTALLATION

1. Measure the dimensions of the sink opening in the countertop to ensure the sink will fit properly underneath.
2. Construct support structures within the cabinet to align with sink dimensions. Given the standard manufacturing variation of approximately 3mm in side wall dimensions.



3. Carefully position the sink within the opening, ensuring that the built-in supports adequately bear the weight of the sink.
4. Use a level to ensure the sink is evenly and adjust the position if necessary. Ensure that the sink's top surface aligns perfectly with the cabinet's top surface.
5. It's advisable to install the sink with a slight positive reveal of approximately 1/8".

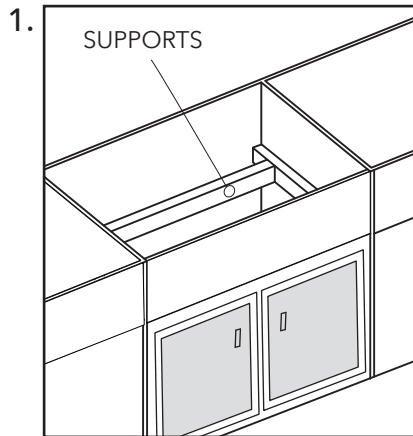
6. Apply a bead of silicone (or chosen adhesive) along the perimeter of the sink's rim. Verify the alignment of the sink with the countertop cutout.



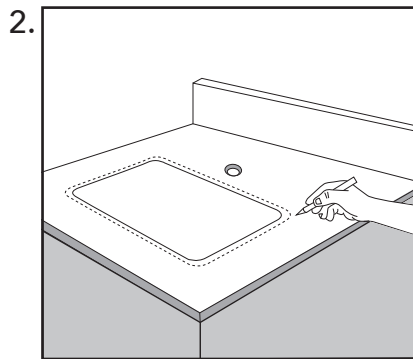
7. Position the countertop cutout over the sink and firmly press it into place.
8. Reconnect the plumbing underneath the sink, including the drain pipes and any other connections. Use plumber's tape or pipe joint compound to ensure a watertight seal on threaded connections.
9. Double-check that the sink is securely mounted and level. Run water in the sink to ensure proper drainage and check for leaks once more.
10. Wipe away any excess sealant or debris from the sink and countertop.

TOPMOUNT INSTALLATION

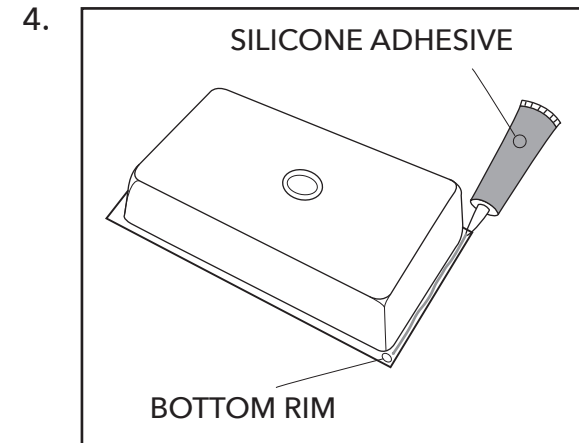
1. Construct internal cabinet supports tailored to the sink dimensions, ensuring they align flush with the cabinet's top.



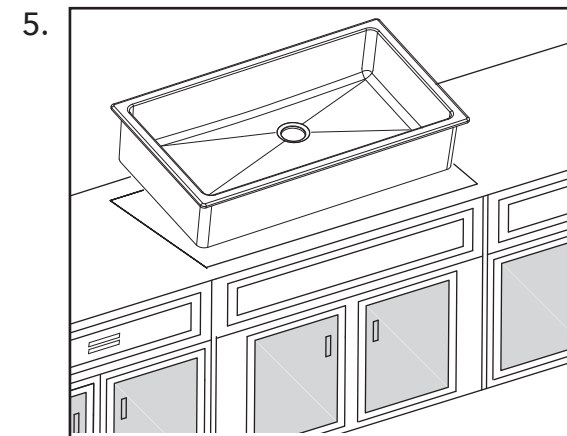
2. Based on the sink measurements, indicate on the countertop where cutting is required.



3. Cut the opening in the countertop by carefully following the traced line.
4. Flip the unit over to apply the sealant. Apply a bead of silicone sealant around the edge of the sink where it meets the countertop.



5. Place the sink into the cutout, ensuring alignment with the countertop's edge, and firmly press it into position



6. Use a level to ensure the sink is evenly and adjust the position if necessary.
7. Double-check that the sink is securely mounted and level. Run water in the sink to ensure proper drainage and check for leaks once more.