

## CARE AND MAINTENANCE:

- Clean regularly with mild dish soap, warm water and microfiber cloth. Rinse with clean water.
- Always dry the faucet with a soft cloth after each use to prevent water spots or mineral buildup, especially in hard water areas.
- Regularly inspect the faucet and connections for any signs of leaks or drips.
- Avoid using harsh chemicals, steelwool, scouring pads or abrasive sponges as they can scratch and damage.
- Avoid products containing ammonia, bleach, or acidic substances (like lemon or vinegar in undiluted form), which can damage or discolor the faucet.
- Always clean immediately remove substances that cause discoloration, such as hair dye or nail polish remover.
- Never leave water, food, personal care products, or cleaning products sitting on the faucet for extended periods of time.

## RUVATI 5-YEAR LIMITED WARRANTY - FAUCETS

This product has been manufactured and inspected to the highest quality standards. Ruvati faucets carry a **5-year limited warranty** for residential use.

Should you experience any defects in materials or workmanship within the warranty period, we will repair or replace the defective product, subject to the following conditions:

- Any claim made under this warranty must include a valid proof of purchase showing the date and place of purchase.
- Our obligation under this warranty is to the original purchaser only and is non-transferable.
- This warranty applies to indoor residential installations only.
- This warranty applies only to products that were purchased brand new from Ruvati or an authorized dealer. Open box, used or refurbished products are not covered under warranty.
- In many instances, we will provide a replacement part with instructions. It will be owner's responsibility to replace the defective part.
- If a product replacement is warranted, it will not include shipping costs or labor installation costs.
- Ruvati reserves the right to examine the product and its installation prior to replacement.
- If an identical replacement product is not available, Ruvati reserves the right to replace the defective product with a similar product.

This warranty relates to defects in manufacture, materials, or workmanship in a Ruvati faucet supplied

for installation in residential premises in the United States. It does not extend to:

- Faults arising from improper use and/or installation. Ruvati recommends faucet installation to be done only by a licensed plumber.
- Damage resulting from improper maintenance or failure to follow the Care and Maintenance instructions.
- Normal wear and tear, scratches, or accidental damage.
- Products that have been altered or modified.

**All incidental or consequential damages are specifically excluded. No additional warranties, express or implied, are provided, including but not limited to any implied warranty of merchantability or fitness for a particular purpose.**

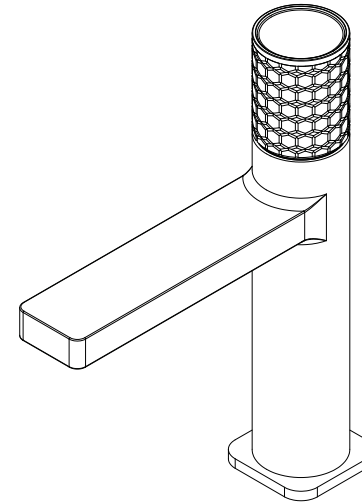
Some states do not allow the exclusion or limitation of incidental or consequential damages or limitations on how long an implied warranty lasts, so the above limitations or exclusions may not apply in certain cases

This warranty gives you specific legal rights, and you may also have other rights that vary from state to state.

# RUVATI®

## INSTALLATION GUIDE

### SINGLE HANDLE BATHROOM FAUCET



RVF5132, RVF5133, RVF5135

Register your product at: [www.ruvati.com/register](http://www.ruvati.com/register)

## RUVATI®

**Address:** 2705 Meister Pl, Round Rock, TX 78664

**USA Phone:** 1.855.478.8284

**Email:** [support@ruvati.com](mailto:support@ruvati.com)

## ATTENTION INSTALLER:

Please read all information below and keep this installation guide for future reference.

Ruvati recommends that this faucet be installed only by a professional installer.

Follow all local plumbing and building codes.

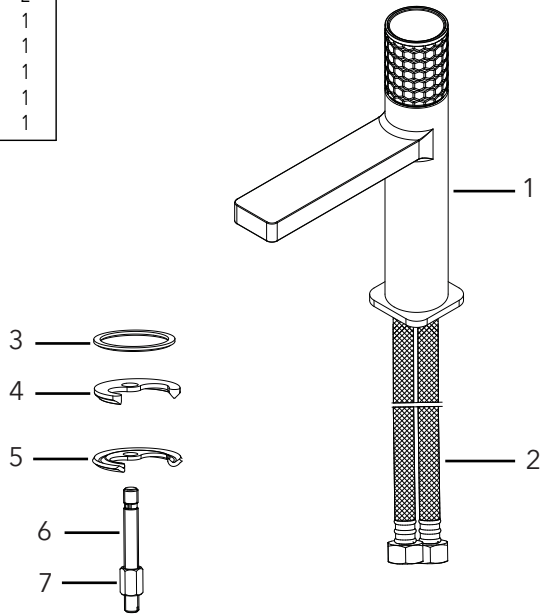
## TOOLS REQUIRED:

Adjustable Wrench  
Basin Wrench  
Towel or small bucket

Teflon Tape  
Safety Goggles  
Flashlight

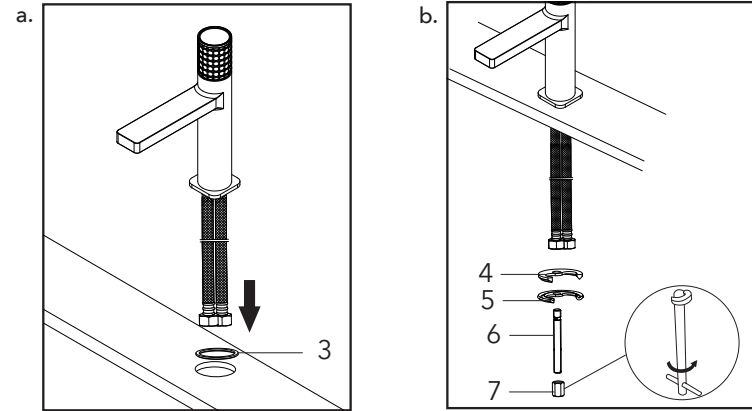
## PARTS LIST:

The Component List	Qty.
1. Main Body	1
2. Inlet Hose	2
3. O-Ring	1
4. Washer	1
5. Clamp	1
6. Screw	1
7. Nut	1



## INSTRUCTIONS:

1. Ensure the o-ring (3) is on the faucet base and Insert it into the hole in the counter or sink. (See image a)
2. Secure the faucet with fixing kit (4,5, 6,7) and tighten the lock nut with basin wrench. (See image b)



3. Connect the hot and cold water inlet hoses (2) to the corresponding angle stops and tighten it with adjustable wrench. Do not over-tighten. Make sure connect the hot and cold flexible hose to angle stops correctly. (See image c)
4. Turn the faucet handle all the way on, turn on hot and cold water supply and flush water lines for one minute.
5. Check all connections at arrows for leaks, re-tighten it if necessary. Do not over-tighten. (See image d)

